

Ultraviolet Curing Conveyor Systems



Ultraviolet Curing Conveyor Systems

LESCO UV conveyor systems are of industrial grade construction, built to withstand around the clock production cycles and meet the rigorous demands of commercial applications.

With standard curing widths ranging from 6" to 40", LESCO offers you a choice of light sources.

The LESCO "C" series conveyor systems feature Fusion electrodeless light sources with power ratings of 300 and 600/400 watts per inch. Fusion light sources also offer a selection of three different spectral outputs to exactly match the curing requirements of the selected UV chemistry. LESCO offers the ability to operate two rows of Fusion lamps with different spectra in the same conveyor to assure proper deep and surface curing in the LESCO C2000 conveyor.

The "CA" series of conveyors offer the conventional mercury arc lamp technology in standard curing widths ranging from 6" to 34", at up to 300 watts per inch in one or two rows of lamps.

With an extensive list of options, LESCO can provide a UV conveyor system that meets the exact requirements of your application.

LESCO has provided solutions for a wide variety of special application problems for a wide range of industries.

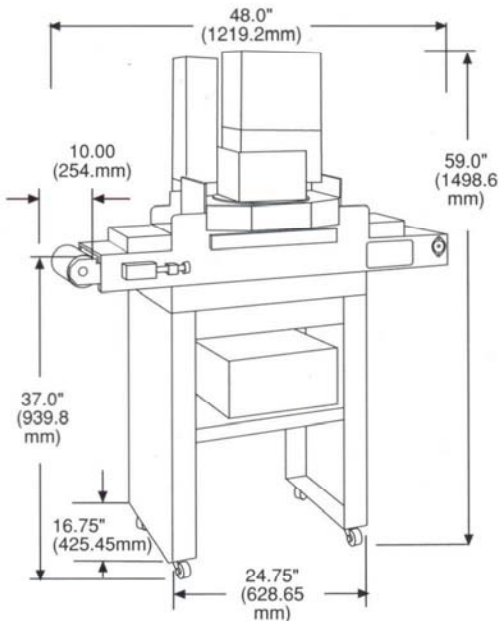
We take pride in building the right equipment to do the job.

STANDARD SPECIFICATIONS AND FEATURES

MODEL	C636	C612	C2000	CA SERIES
Cure Width	6"	6", 10", 12"	10" to 40"	6" to 34"
No. of Lamp Rows	1 or 2	1 or 2	2	1 or 2
Fusion Electrodeless Lamp Used	F300	F300 F450 F600	F300 F450 F600	HG
Support System	Tabletop	Tabletop or Caster Base	Caster Base	Tabletop or Caster Base
Variable Belt Speed	.5-100 fpm	.1-110 fpm	.1-110 fpm	.1-110 fpm
Variable Vacuum Hold Down	Included	Included	Included	Included
Lamp Focus Adjustment	0-4"	0-4"	0-4"	0-4"
Maximum Part Height	2"	2"	2"	2"
Exhaust System	Fan Included	Fan Included	Fan Included	Fan Included

OPTIONS

N ₂ Purge Kit	Yes	Yes	Yes	Yes
Higher/Lower Speed Ranges	Yes	Yes	Yes	Yes
Maximum Part Height	4"	4"	4"	4"
Other height options available on a custom basis.				
Powered Lamp Focus Adjustment	No	Yes	Yes	Yes
Digital Speed Readout	Yes	Yes	Yes	Yes
Ninety Degree Lamp Swivel	Yes	Yes	No	No
One Button Start	Yes	Yes	Yes	N.A.



C636 shown with optional base

LESCO™

23555 Telo Avenue • Torrance, CA 90505
(310) 784-2930 • Fax (310) 784-2929
(800) 615-3726 • Fax (800) 905-3726